

ATK 400 Baling Press

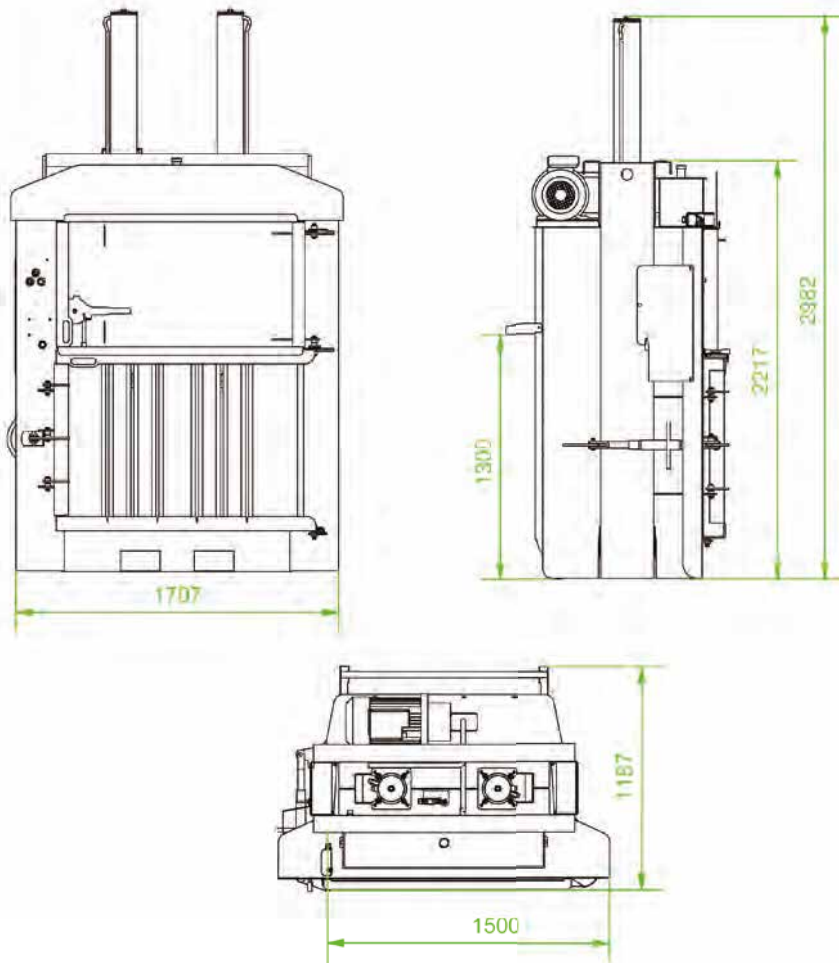
ATK 400 Baling Press

- ✓ 12 month warranty
- ✓ 1200mm wide feed aperture
- ✓ Can be sited outside
- ✓ Available in 16 amp 3-phase or 16 amp single phase electrics
- ✓ 25 Tonne press force
- ✓ Automatic bale ejection
- ✓ Bale weights up to 450kg
- ✓ CE approved
- ✓ Fitted retaining claws to prevent material spring back
- ✓ Full stroke rams available upon request
- ✓ Powder coated finish for durability



RWM 400 Baling Press

TECHNICAL SPECIFICATIONS



Press Force	25 Tonnes
Loading Aperture (H x W x D)	698 x 1200 x 800mm
Bale Weight	up to 450 Kg
Bale Dimensions (H x W x D)	1000 x 1200 x 800mm
Cycle Time	40 seconds
Noise	68 decibels
Machine weight	1300 Kg
Power Supply (kW-V-Hz)	16amp 3 phase 5.5kW-400V-50Hz
Overall Dimensions (H x W x D)	3000 x 1707 x 1187mm
Optional Transportation Height	2300mm

